

CAE LearningSpace Catalog



Your worldwide
training partner
of choice



About CAE

With a 70-year history of innovation, CAE delivers training solutions to make flying safer, maintain defense force readiness and enhance patient safety. CAE has the broadest global presence in the industry, with 8,000 employees, 160 sites and training locations in over 35 countries.

CAE develops simulation-based solutions that are designed to help healthcare professionals provide safe, high quality patient care. With a broad array of products and services, we are able to offer targeted training to hospitals, medical schools, emergency response teams, military branches and nursing, respiratory and allied health programs around the world.

Contents

1. Which LearningSpace is Right for You	5
CAE LearningSpace Experience	7
CAE LearningSpace Essentials.....	9
CAE LearningSpace Enterprise.....	11
A Proven Solution	13
2. Room Configurations	15
CAE One Box.....	17
CAE One Box + Connect Server	18
Server-Based System.....	19
Ultraportable	20
Accessories.....	21
3. Our Services	23
Consultation.....	25
System Implementation.....	27
Training	29
Customer Service.....	31
Support and Maintenance	33



CAE was
founded by
Ken Patrick on
St. Patrick's
Day **1947**

CAELearningSpace

Vital center management solutions for making healthcare safer

A high-quality debriefing session following a simulated emergency scenario or clinical event is known to improve learning and retention. In any high-stakes scenario, participants may not remember all of their behaviors, decisions and interactions. Today, most simulation programs record scenarios to enhance debriefing and improve performance assessment. The use of audiovisual (AV) solutions is growing in clinical settings as well.

CAE's LearningSpace center management solutions capture audio and video as well as physiological data including event logs, trend charts, waveform displays and annotations. During a debriefing session, participants can view their actions and interactions with the benefit of rich patient data and an instructor's play-by-play critique.

CAE LearningSpace is web-based, scalable, accessible from anywhere, and offers both full-featured and streamlined systems for recording and debriefing. CAE LearningSpace Enterprise provides additional management tools, such as scheduling, reporting and learner assessment. The Resource Manager feature allows simulation center managers to track all of their assets, standardized patient hours and usage for realtime reporting.



Performance Improvement for Training Environments

Why invest in an AV solution

CAE offers the most robust and adaptable platforms for managing audiovisual recording, debriefing, and professional assessment in both simulated and clinical settings. As the leading provider of audiovisual systems for healthcare learning, CAE delivers proven solutions with the added value of expert guidance and support.



Web-based

Record, annotate and assess in any room, on any device and from anywhere with no need for separate user licenses. Eliminate downtime with remote system monitoring, troubleshooting, regular backups and software updates.



Secure

With state-of-the art web technology, CAE LearningSpace helps you protect privacy and data. Ensure protection for your institution with centralized authentication for all users, password sign-on and encryption of all captured data and recording.



Plug-in free

CAE LearningSpace is a complete, self-contained solution. There is no need to install additional third party software or plug-ins to effectively use our video debriefing tools to capture data, assess learners or manage your center.



Scalable

With one scalable platform for healthcare education and universal hardware configurations, CAE LearningSpace grows with your center without requiring replacement equipment. Simply add rooms, features, and even linked simulation centers as your program grows.



Best-in-class customer service

CAE delivers proven solutions with the added value of expert guidance and support. We offer free Training for Life for all your staff, live telephone support and remote monitoring for proactive troubleshooting and resolution.



Turnkey project management

From initial consultation through system design, implementation and training, you will work with one dedicated team that will help you meet your educational objectives, budget and timeline.





Which Audiovisual Solution is Right for You?



Experience

CAE LearningSpace Experience is an affordable audiovisual system for effortless record and debrief

- Stunning high-definition video recording
- Streamlines instructional communications with built-in intercom
- Powerful search by date, time, learner, patient data, annotations and more

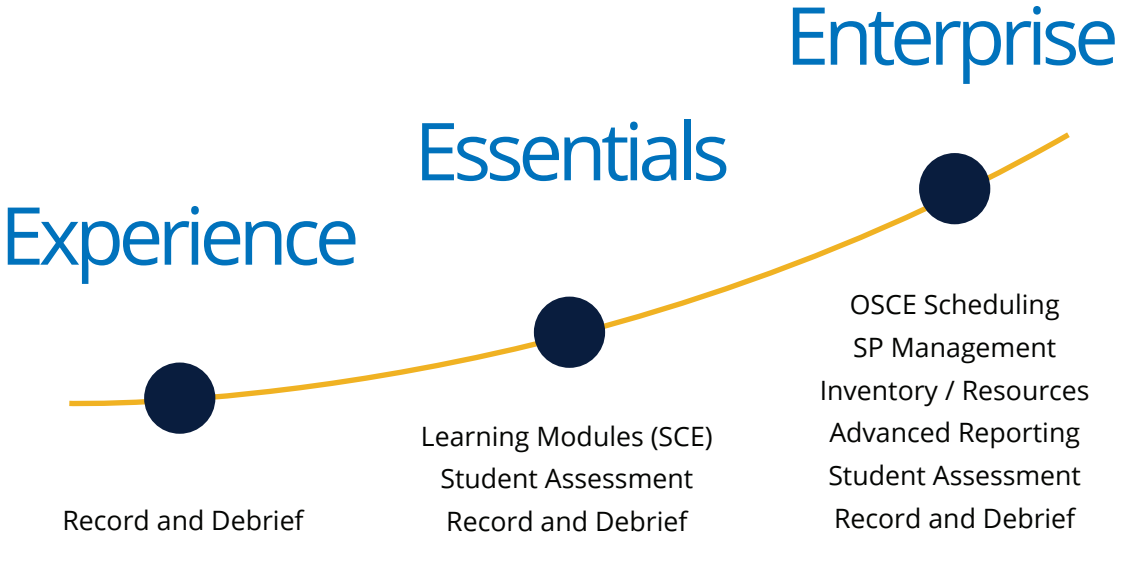


Essentials

CAE LearningSpace Essentials is a streamlined system with integrated curriculum and assessment

- Preloaded with CAE Healthcare Academy curriculum
- Checklist and scenario authoring tools for real-time assessment
- Use predesigned reports or customize your own with only the data you want

CAE LearningSpace



Enterprise

CAE LearningSpace Enterprise is the comprehensive audiovisual and center management solution

- Advanced tools for automated recording, robust scheduling and reporting, assessment and OSCE testing
- Manage both simulation and Standardized Patient training
- Track resources and inventory with dedicated modules

CAELearningSpace Experience

A simplified solution for intelligent capture and debrief

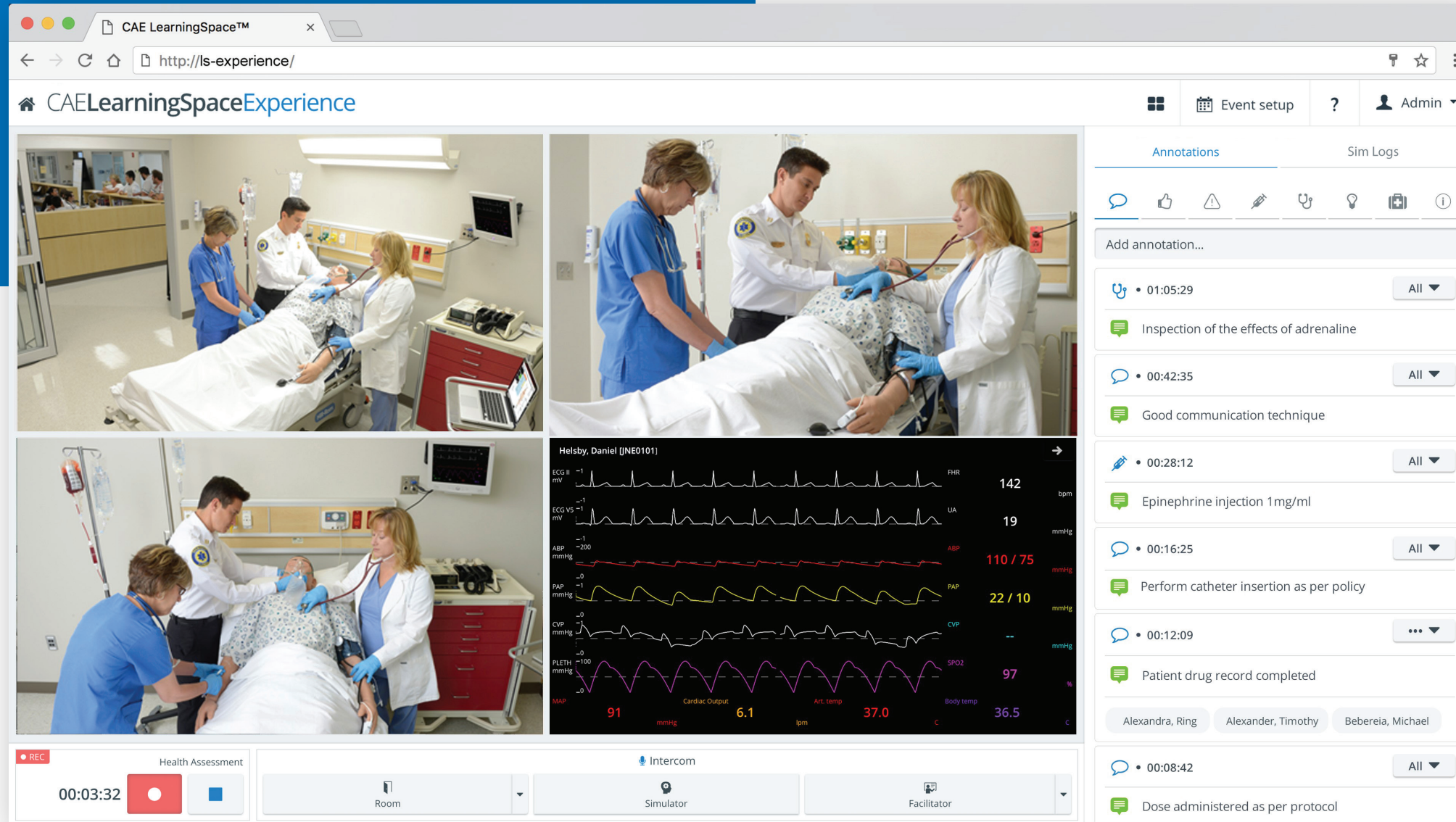
CAE LearningSpace Experience is a simplified solution for simulation video capture and debrief. It is easily adaptable within a fast-paced healthcare environment where standards and practices are rapidly evolving. The user-friendly system allows clinical teams to practice new safety protocols and gain instant feedback.



Full-Screen display: View cameras individually or simultaneously in full screen mode to capture every detail



Sim Logs: The Sim Log panel lists all the events completed on the simulator assigned to the specific room



Record and Debrief: Stunning HD recording that allows facilitators to debrief anywhere



Camera Controls: Zoom in and out or pan-tilt with the control widget on each camera feed



Built-in Intercom: Speak in to your training environment with a click of a button



Simulator Agnostic: Capture any simulator (singular) or any medical device that has a video input



Center Monitoring: Monitor by name, date, physiological data, events and more



Annotations: Annotate on-the-fly or after the recorded session. Preset annotations and customizable bookmarks available

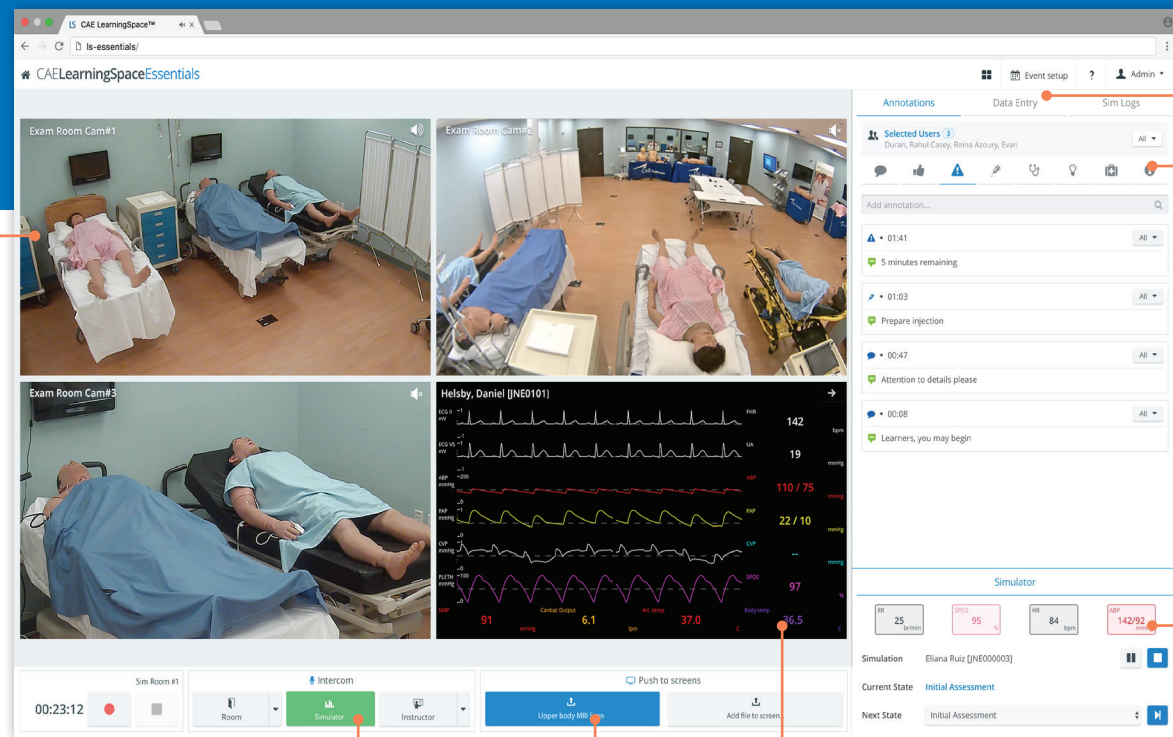


Smart Time-Codes: Quickly navigate on the recorded session's timeline with ease

CAELearningSpaceEssentials

The easier way to manage your educational objectives

CAE LearningSpace Essentials is the intuitive center management solution you've been waiting for. With customizable and automated reporting, checklists, and notification tools, CAE LearningSpace Essentials offers just what you need to achieve your educational objectives. Conveniently schedule, pre-brief, record, and debrief anywhere, from a computer, laptop or mobile device. The easy-to-use software with multi-room viewing provides you a simpler way to improve program outcomes.



Large HD windows

Custom or pre-loaded checklists

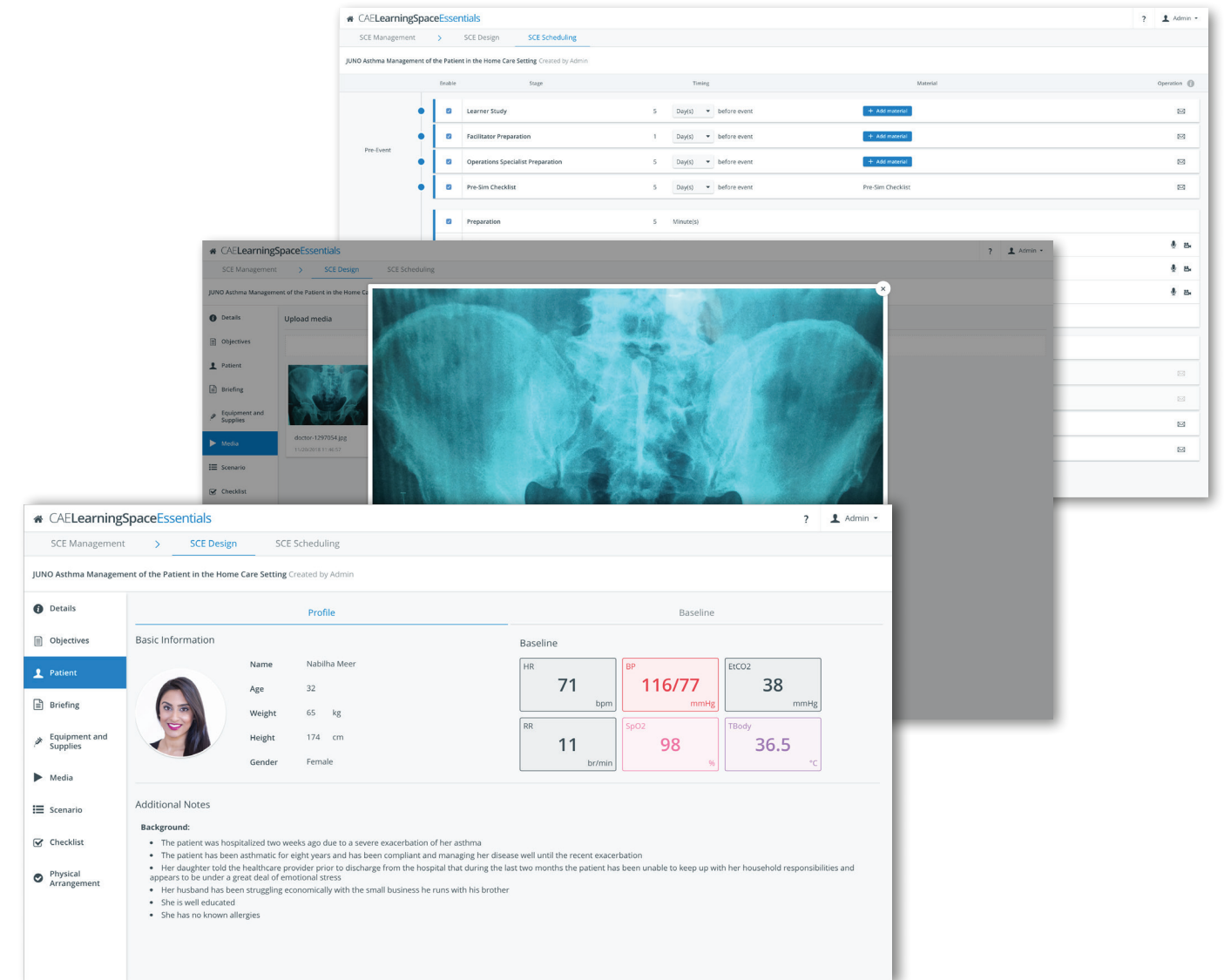
Easy annotations

Quick access to patient simulator controls

3-way intercom (room, instructor, simulator)

Push content to simulation room (e.g. X-rays, lab results)

Real time patient simulator data



From formative simulations to performance-based skills assessments, CAE LearningSpace Essentials facilitates better training and preparation for the clinical workplace.

Expanded Capabilities Include:

Scenario Authoring

All the tools you need to build and design your simulated clinical experience

Pre-loaded Learning Modules

Learning material for nursing curriculum to get you started

Calendar and Scheduling

Easy to use calendar to schedule rooms and participants in your center

Student Assessment

No more paper checklists, build and design your own to assess participants

Reporting

Pre-loaded reports to assess individual or group performance

CAELearningSpaceEnterprise

The only center management tool you'll ever need

CAE LearningSpace Enterprise is CAE's proven clinical simulation management platform, designed to capture team training and individual simulation practice events for review, debrief and assessment. Engineered to offer an enriched end-user experience, CAE LearningSpace easily integrates with mobile devices to provide greater flexibility for training center managers. Manage every aspect of your simulation center with robust and easy-to-use tools for assessment, tracking, reporting and video-driven improvement.

CAE LearningSpace Enterprise is a proven center management system with a 14-year track record and a community of experienced users around the world. Here are its main capabilities:



Record, Debrief and Assess

- Monitor one room or multiple rooms from anywhere
- Immediate viewing and sharing of video, simulator and medical device data
- Custom checklists / rubrics for learners, faculty, or Standardized Patients
- Self and peer evaluations, exams, and much more
- Web-based, secure, and plug-in free



Center Management from A to Z

- Customizable user roles, privileges, and group memberships
- Schedule videos to start/stop at predetermined times
- Schedule pre-recorded announcements, and provide notifications to your participants
- OSCE Management: Easily create rounds, time-slots, and manage your entire OSCE from one screen
- Robust Standardized Patient tools including SP training, scheduling and payroll



Dynamic Data Mining

- Customizable reports to see your data your way
- Track the use of your resources (rooms, simulators, personnel) by client
- Automatically generate reports quarterly/by semester/annually
- Generate and export utilization and allocation reports





Three Tiers of CAE LearningSpace

CAE LearningSpace offers three tiers of software to suit any size or type of simulation center. With one dedicated customer service team, universal hardware and a consistent, user-friendly clinical simulation management platform, you will gain all the benefits of CAE LearningSpace in a solution that is tailored for your program.

Key Features	Experience	Essentials	Enterprise
Annotations	●	☐	☐
Built-in Intercom	●	☐	☐
Center Monitoring	●	☐	☐
Record and Debrief	●	☐	☐
Reporting	●	☐	☐
Student Assessment	●	☐	☐
Calendar and Scheduling	●	☐	☐
Pre-loaded Learning Modules	●	☐	☐
Scenario Authoring	●	☐	☐
Resource/Inventory Management	●	●	☐
Customizable Reports	●	●	☐
OSCE Management	●	●	☐
Advanced Scheduling	●	●	☐
SP Management	●	●	☐

“LearningSpace has enabled Eastern Virginia Medical School to verify and validate most of the soft skills that we teach to our students. It has proven helpful to provide captured video to instructors and to students as part of the feedback mechanism and learning process. Because of this increased level of instruction, our students are consistently ranked highly against their peers when in residency or preceptorships; this is due in part to our widespread and consistent use of LearningSpace.”

Robert K. Armstrong, Jr.
Director, Eastern Virginia Medical School

A Proven Solution

LearningSpace is a powerful, scalable center management solution reimagined to enhance efficiency and productivity

600+
Systems

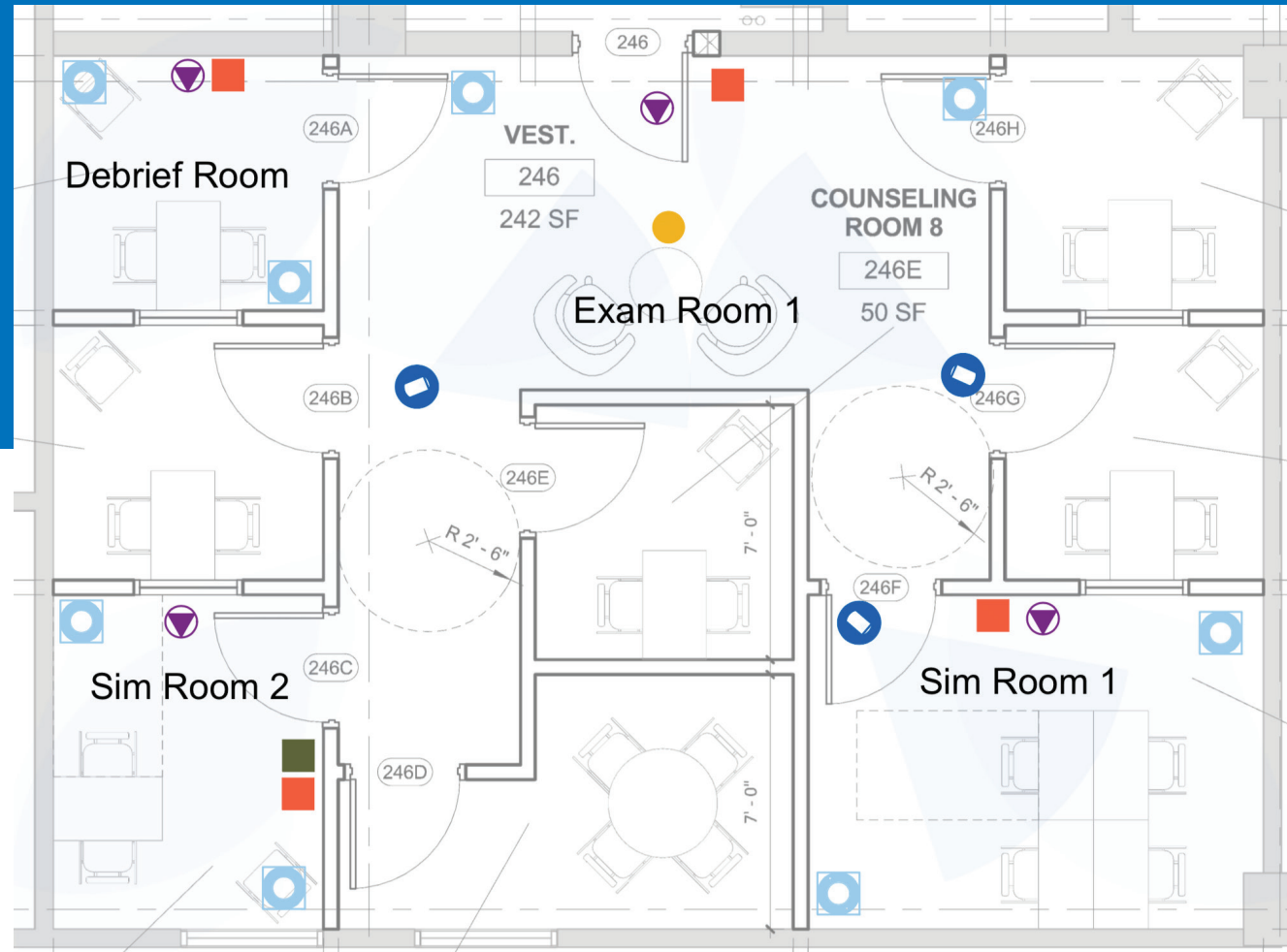
1250
Servers
Managed

9000+
Cameras

Room Configurations

One software. Four configurations. Discover our devices.

Grow and develop your simulation learning environment, your faculty and your learners. CAE's audiovisual center management solutions cover all of your simulation and debriefing needs with multiple configuration options. Our hardware light approach is easily scalable and can be tailored to meet your center's needs.



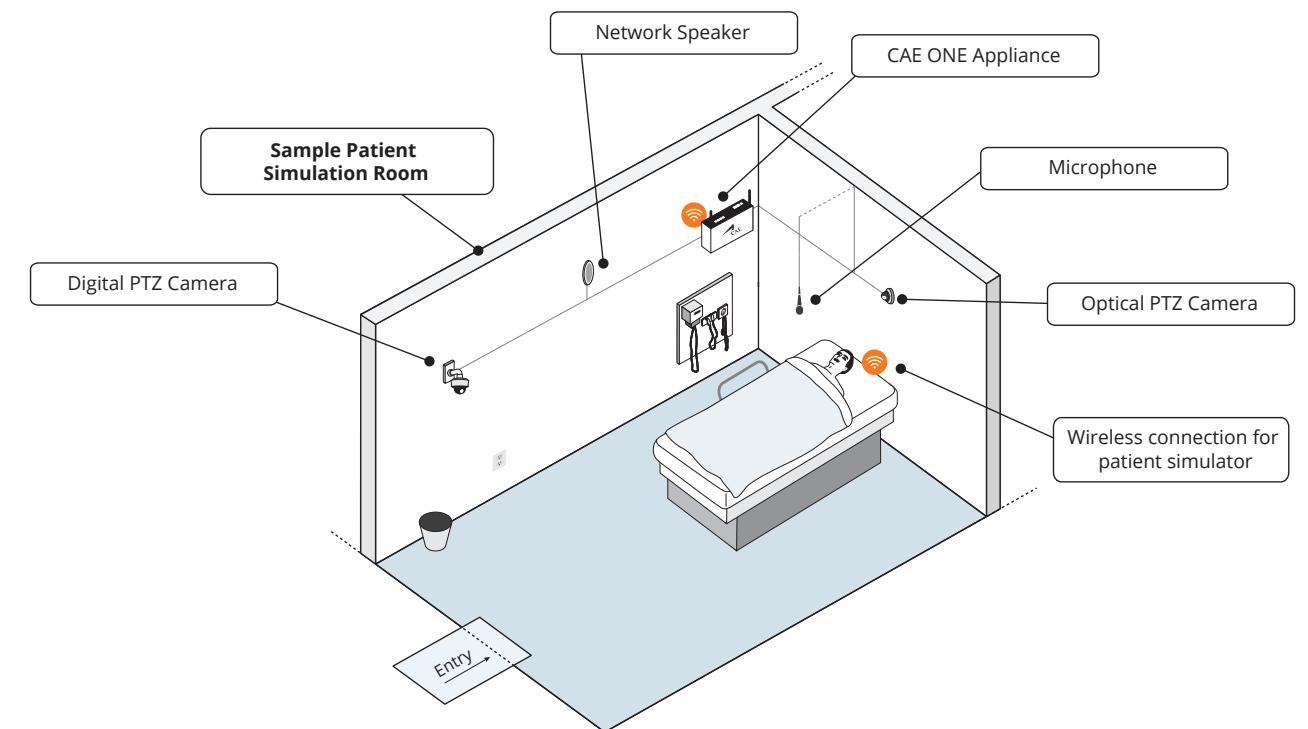
Testimonial

"LearningSpace is a system that can grow with the organization, enriching both the student journey and faculty management of educational activities."

Ann Sunderland
Director, Clinical Skills and Simulation, UK

Capture any room

With four complementary hardware configurations, CAE LearningSpace can be easily installed and is scalable to any learning environment.



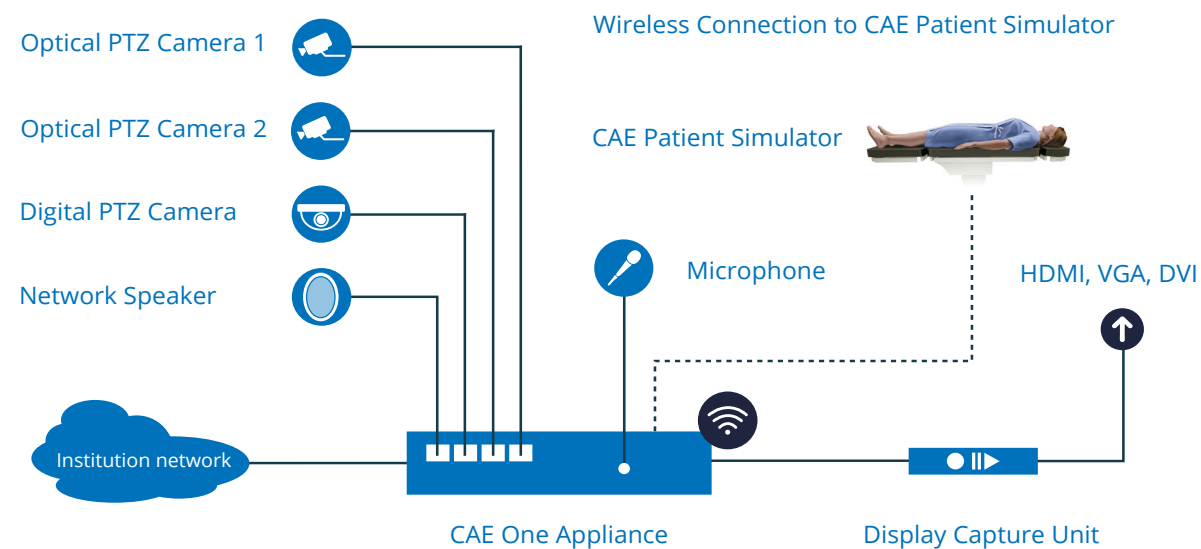
CAE One Box

Our most affordable, full-featured, simulation recording solution ever

Our One Box solution is an all-in-one hub for your simulation room that connects cameras, microphone and patient simulator or medical device to capture and store up to 1,000 hours of video.

Specifications

- Hardware server console
- Built-in display capture
- 1000 hours video storage
- Built-in audio input
- Hi-Fi simulator integration
- Supports every LearningSpace software platform (Experience, Essentials, Enterprise)



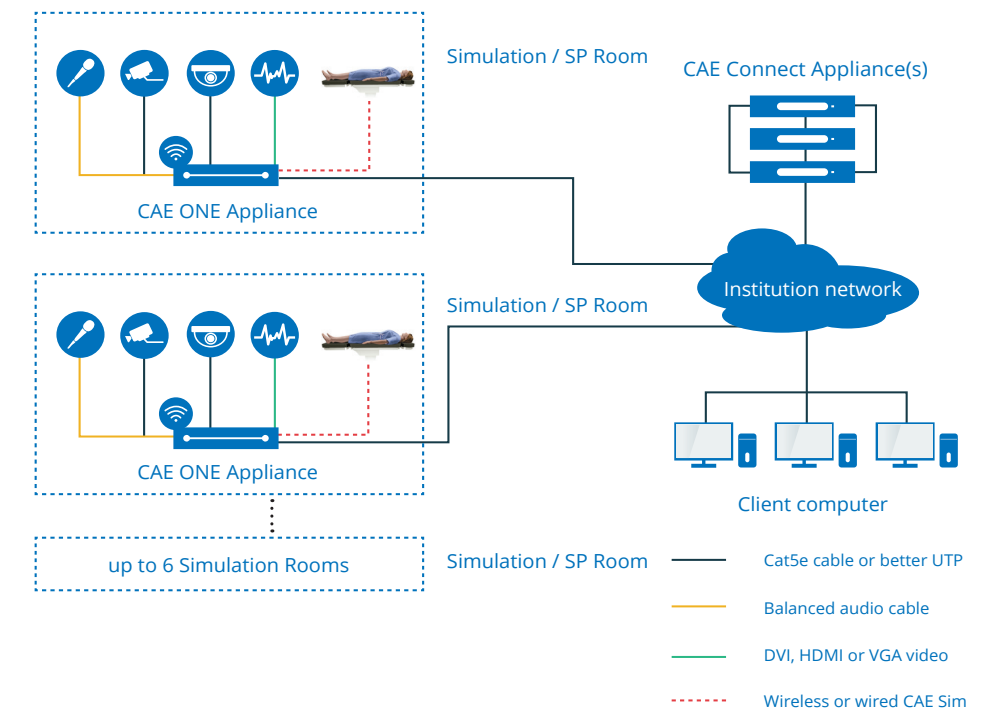
CAE One Box + Connect Server

An enterprise-grade unified system for your entire simulation center

When you are ready to expand beyond a single simulation room, connect up to six One Box systems for a unified system across your simulation center.

Specifications

- Easily scalable
- Can connect up to 6 ONE boxes
- Store 12,000 hrs of HD video recording
- A single unified system for your entire simulation center



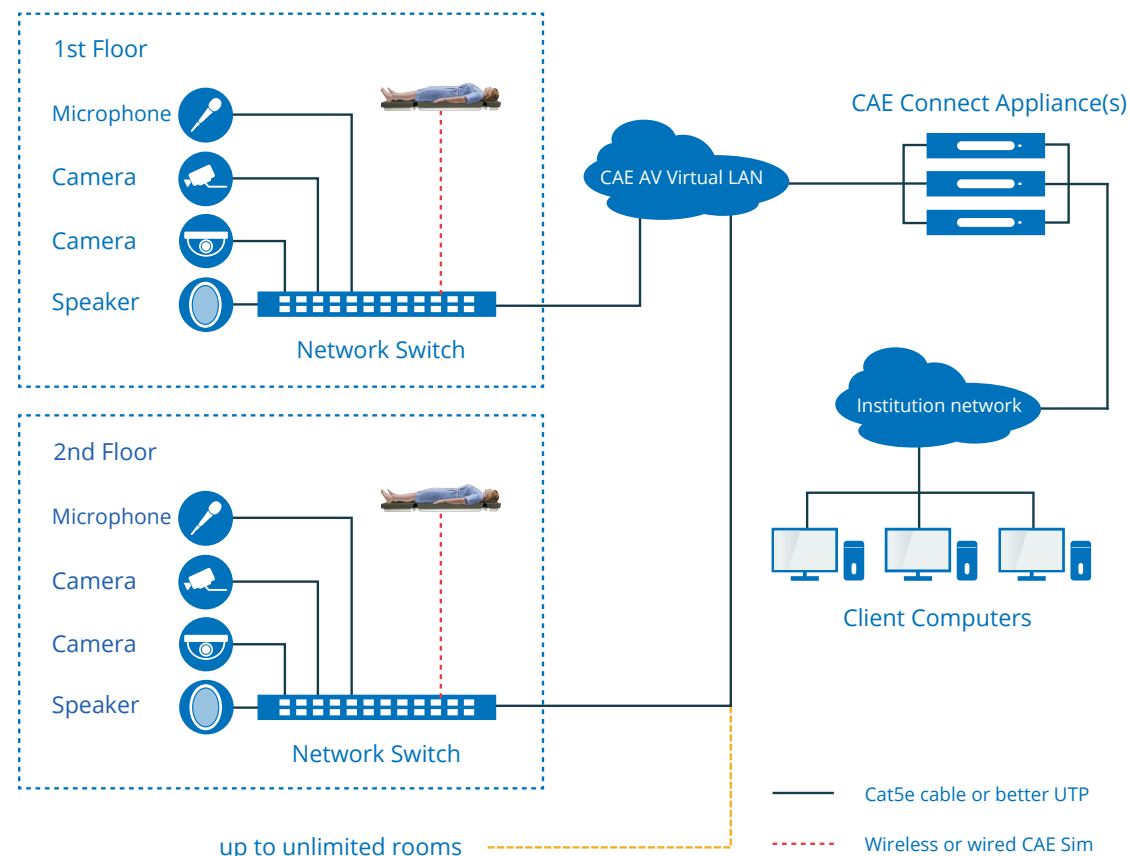
Server-Based System

Build a complete solution for your simulation building

CAE LearningSpace offers a server-based system with a structured AV network that connects all cameras, microphones and simulators into one cooperative simulation environment that is scalable and can store up to 12,000 hours of HD video per server.

Specifications

- One server connects up to 10 devices (camera, audio input, simulator or speakers)
- Scalable up to 300 video feeds
- Store 12,000 hours of HD video recording per server
- Virtualization of the software is also available



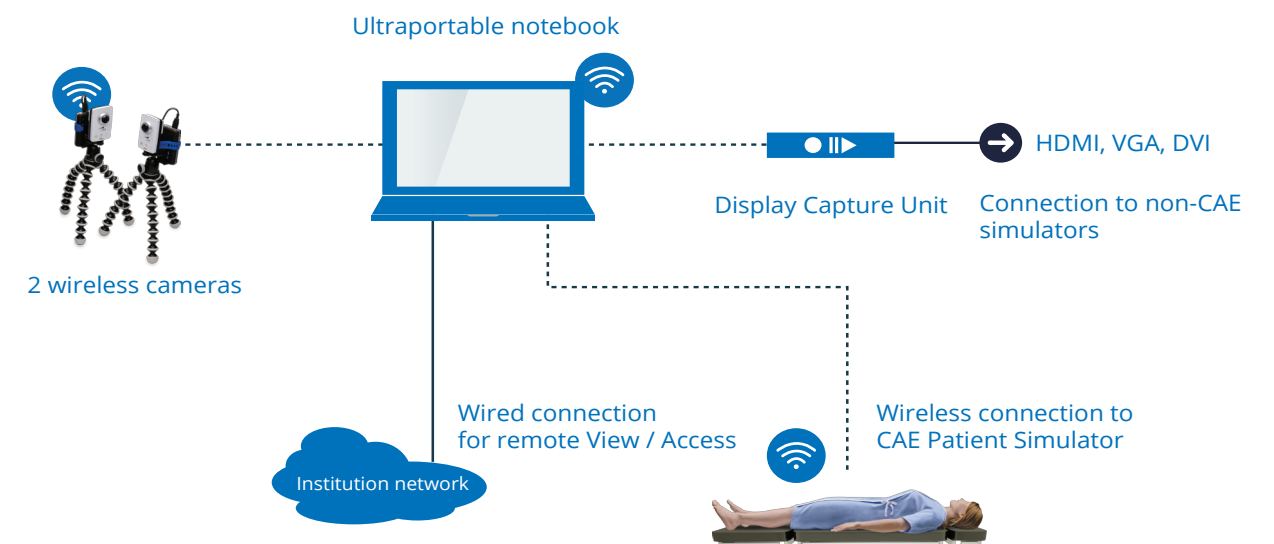
Ultraportable

Record and review anywhere, anytime

Ideal for in-situ simulation, the CAE LearningSpace ultraportable solution allows you to record and review healthcare learning anywhere with our wireless, battery-powered HD mobile system.

Specifications

- Compact rolling case
- Durable laptop (with CAE LearningSpace software)
- Two wireless HD cameras
- Non-CAE simulator integration
- 6 hours of continuous, wireless operation perfect for field exercises
- Easy syncing to the main CAE LearningSpace system



Accessories

Grow and develop your simulation learning environment, your faculty and your learners. CAE's audiovisual center management solutions cover all of your simulation and debriefing needs with multiple configuration options. Our hardware light approach is easily scalable and can be tailored to meet your center's needs. Our latest accessories will help you streamline your workflow.

Cameras

Record with optical and digital PTZ HD cameras with zooming, panning and multi-view streaming

Axis M5525-E Optical PTZ Camera

- 10x optical zoom
- 360° pan with auto-flip
- HD 720p-1080p resolution
- IP-rated protection against dust and water
- Easy installation, including Power over Ethernet

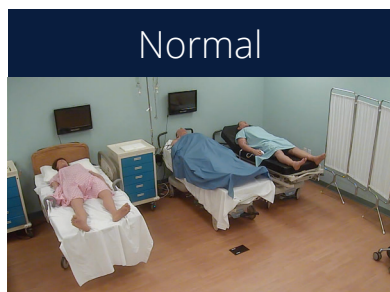
Axis M3046-V Digital PTZ Camera

- HDTV 720p / 1080
- Wide viewing angle of 128 degrees
- Compact, vandal, and dust-resistant design
- Easy, flexible installation on wall or ceiling
- Digital PTZ and multi-view streaming



Digital Zoom Camera

Optical Zoom Camera



Combination of the 2 types makes it possible to **capture any room**

Digital Audio

Broadcast live or preset audio announcements to specific rooms or sets of rooms

Axis room speakers

- Voice announcements
- All-in-one speaker system
- Quick installation with just one network cable (PoE)
- Future-proof with openness and integration

Axis C2005 ceiling speaker



Axis C1004-E cabinet speaker



Joystick

Plug and play with a USB joystick equipped with pan-tilt-zoom controls and supported by Google Chrome

Axis T8311 PTZ Camera Joystick

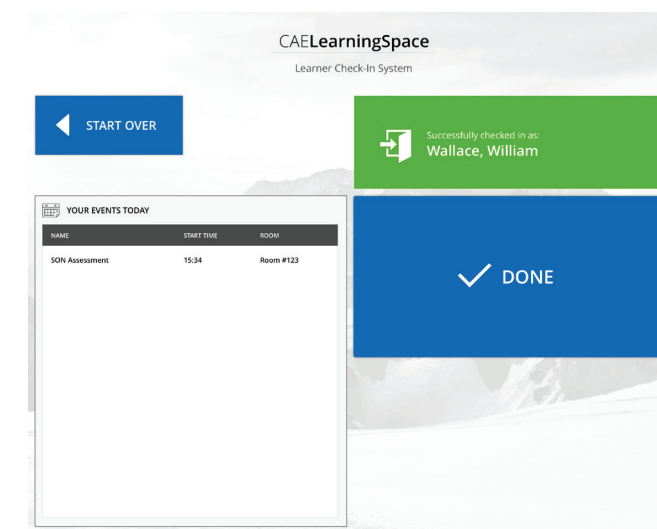
- Plug 'n' play USB joystick
- Natively supported by Google Chrome
- Pre-programmed buttons for camera selection
- Easy and precise Pan-Tilt-Zoom control



Kiosk

Simplify check-in with a center kiosk that displays the day's scheduling and tracks participant and faculty hours

- Built-in QR code reader compatible with the smart phone application
- Check-in/out functionality for tracking contact hours - ideal for accreditation reporting
- Shows personalized scheduling information





Our Services

Conscientiousness

CAE's global audiovisual solutions team delivers best-in-class consulting, installation, and support; from early planning through implementation and beyond.

1. Consultation

Throughout the pre-sales process, CAE LearningSpace specialists ensure that all the questions you have are addressed and answered.

2. System Implementation

CAE installers help to install the devices and to mount and bring the servers on-line.

3. Training

CAE training courses help you to understand basic functions, and to perform basic operations.

4. Customer Service

CAE's world-class support service helps you out with your problems.



We Follow Through

CAE LearningSpace specialists ensure that all the questions you have are addressed and answered.

Best-in-class consulting, installation and support

CAE's LearningSpace team offers industry-leading consulting, project management and support from initial planning through ongoing operation of your simulation center.

Our mission is to guide you in improving the performance of your program, your staff and your learners while freeing faculty to focus on preparing clinicians and teams for today's healthcare environment.



Exploring Unique Needs

Successful healthcare training depends on a curriculum that has been properly defined to meet academic, professional, regulatory and legislative requirements.

The effectiveness of the training process depends highly on the appropriate equipment and the proper training environment. Our goal is to find the best solution possible for your institution.

Consultation

- Floorplan review
- Equipment selection and placement
- Requirements gathering and detailing
- Audiovisual and network design
- Budget analysis and planning
- Architectural firm collaboration
- IT involvement and collaboration
- AV integrator collaboration

Our goal is to find the best solution possible for your institution

Building a training environment for making healthcare safer.

With knowledgeable subject matter experts (the CAE Healthcare Academy is comprised of an international group of experienced clinical educators, healthcare professionals, technicians, writers, designers, and various adjunct faculty members who are skilled in medical simulation best practices), CAE is uniquely qualified to identify and fulfill essential deliverables, from initial facility analysis and curriculum design, to staff onboarding and project cost estimates.

An added benefit of a CAE Healthcare training needs analysis is having the dedication of a single contractor to manage the entire project for you -- from initial analysis to ongoing operation. This means you'll never have to worry about managing multiple contracts, or wasting time, energy, and valuable resources.

CAE will provide all you need in simulation-based educational resources.

Consultation



System Implementation

Professional Installation for a Professional System

Installers arrive on-site at a mutually agreed upon date. Once the installer is on-site, a walkthrough of the installation area is conducted. This allows the installers to identify exact camera and microphone locations. This also allows the installer to verify wall and ceiling materials, as well as prepare for any possible issues that may occur.



One team dedicated to your success in simulation-based education

Checklist for System Efficiency

Site Walk-Through

Professional implementation specialists map your institution to find the best solution possible for your assets to be installed.

System Orientation

CAE is dedicated to helping you apply simulation successfully within your learning or professional environment.

ATP (Acceptance Test Procedure)

CAE technicians test all functionality of the system as outlined by Engineering.

System Configuration

Your system is configured by the installers to be ready for use immediately.

Equipment Installation

CAE installers make sure to set up your hardware according to the carefully designed annotated floorplan.



Courses and Webinars

CAE training courses help you to understand basic functions, and to perform basic operations.

- Develop your growing simulation staff and reduce the impact of turnover
- Keep your simulation skills up to date
- Learn current best practices from our Academy of clinical educators
- Share tips and tricks with other simulation users
- Practice advanced level simulation, including guided scenario development

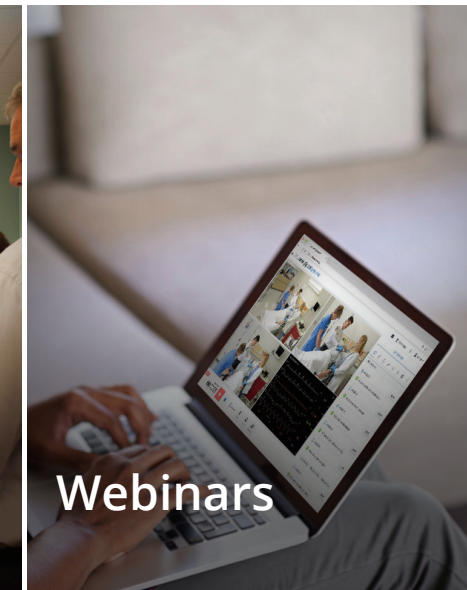
CAE offers different training options:

- LearningSpace Experience: Video training on website
- LearningSpace Essentials: On-site training (1 day)
- LearningSpace Enterprise: On-site training (2+2 days)

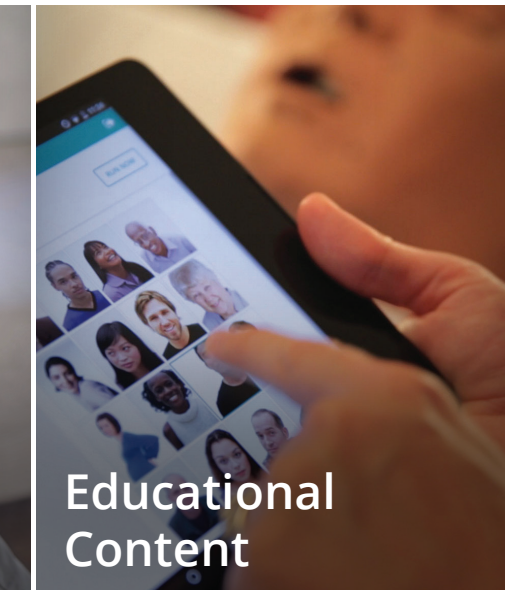
Our hands-on training courses were developed by the CAE Healthcare Academy, and cover basic to advanced techniques and principles. For added convenience, we offer courses in the United States, Canada, Germany, and select CAE aviation training facilities around the world.



Courses



Webinars



Educational Content

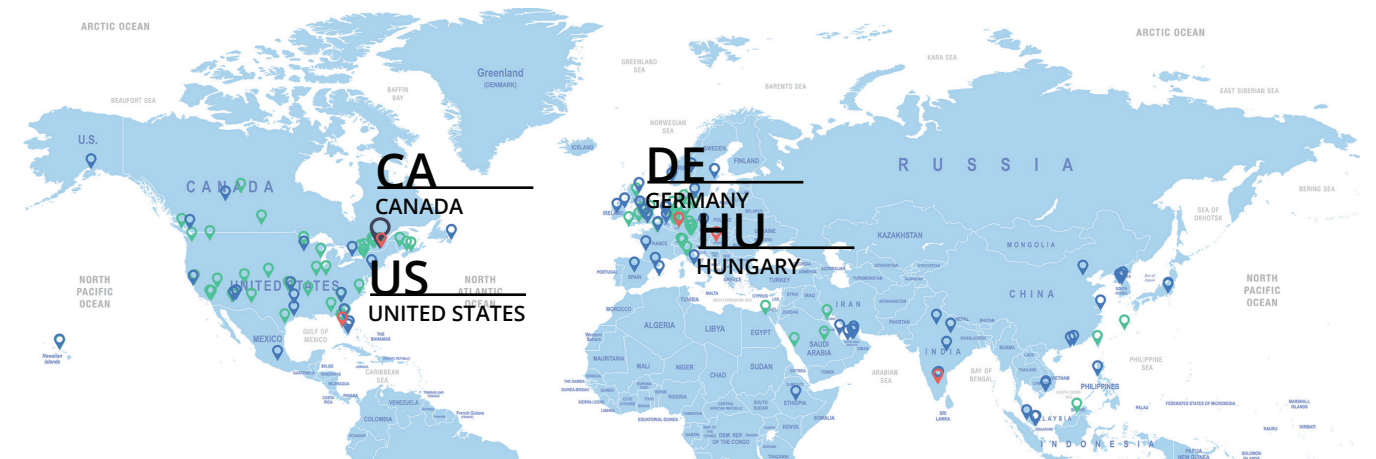
Training



Customer Service

World-Class Customer Service

CAE's dedicated technical support and customer service team is comprised of highly-trained and highly-responsive expert technicians. Our technicians are strategically located around the world to assist you, answer your most pressing questions and provide exceptional customer service when and where you need it most.



GLOBAL PRESENCE

Unrivaled Support



World-class customer service

Our experienced technicians and customer support representatives will respond to your requests quickly and in person, minimizing disruption and downtime.



Live chat

Contact an experienced customer service representative who is dedicated to resolving your issues and helping you to succeed.



24/7 support

Our live telephone support and 24/7 center monitoring keep you covered and reduce downtime. Log on to our comprehensive help site for additional online resources.



Training for Life™

We offer free Training for Life™ for all of your staff in regional training centers with every CAE Assurance support and maintenance agreement.



Support and Maintenance

CAE Assurance

We created the CAE Healthcare Assurance Program - our commitment to you that we'll be there if anything should go wrong. Service coverage under CAE's assurance program entitles you access to support from our world-class customer service group, regular software updates, Training for Life™ and many more benefits.

- Updates to the LearningSpace system application
- Updates to the operating system of the server and additionally installed applications by CAE
- Nightly backup of textual data of the CAE LearningSpace system database
- Proactive support service and daily review of system health report
- Response to server, camera or audio outages
- Access to email and phone support during business hours
- Selective Data restoration from prior backups in the case of accidental data loss that was the result of an end-user mistake
- Hardware support, and advanced hardware replacement of CAE products
- Training for Life™: Unlimited in-house product training provided to customers as it becomes available. A Support and Maintenance Services plan must be active on system on which product training is being provided

Training for Life™

Access free, unlimited training courses for the life of your simulator with the purchase of a CAE Assurance support and maintenance plan. Only CAE offers training for all of your staff for the life of your simulator.

General contact

Phone: +1 (866) 462-7920, choose option #3
Online chat: <http://help.caelearningspace.com>
Email: avs-support@cae.com
Library of training videos: <http://help.caelearningspace.com>
Subscribe to list-serv email: avs-support@cae.com

CAELearningSpace

Property of CAE Healthcare Inc.

6300 Edgelake Drive, Sarasota, FL 34240, USA